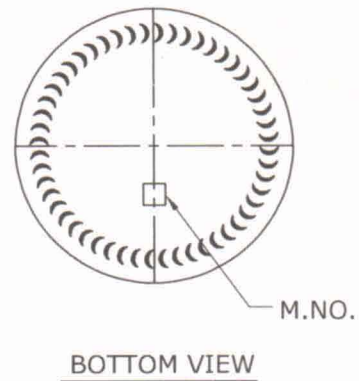
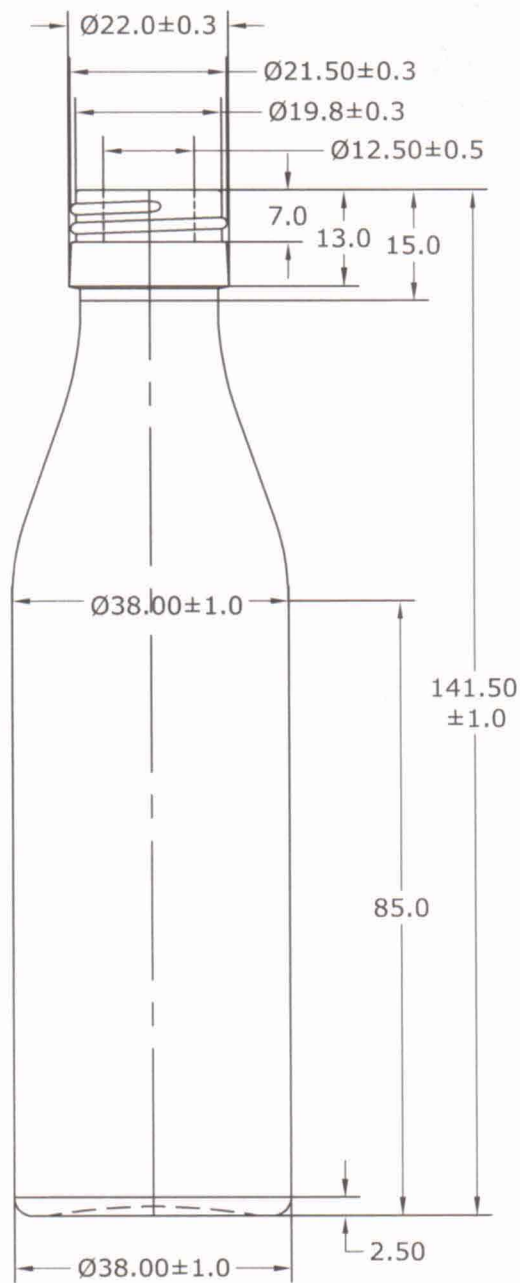


IF IN DOUBT PLEASE ASK.



DATE		60ML CASTOR OIL	NECK. STD.	22PP	
SCALE	1:1		M/S :-	OVER FLOW CAPACITY	74±3ML
DRAWN				FILLING CAPACITY	
CHECKED				WEIGHT	130±7GMS
APPROVED			All Dimensions Are In MM. Unless Otherwise Specified. Please Don't Scale The Drawing. All Dimensions Are Tantative. Until Final Sample Bottle Is Approved.	DRAWING NO.	