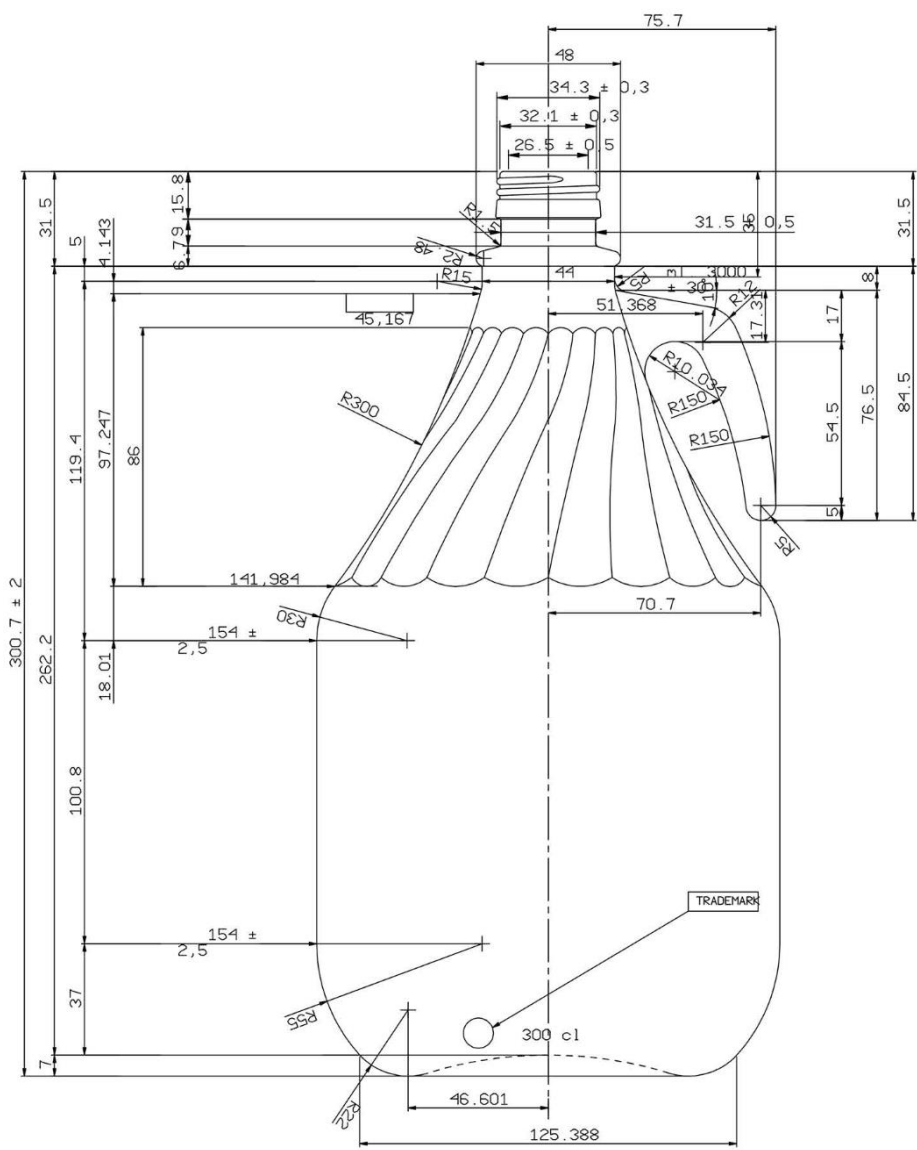
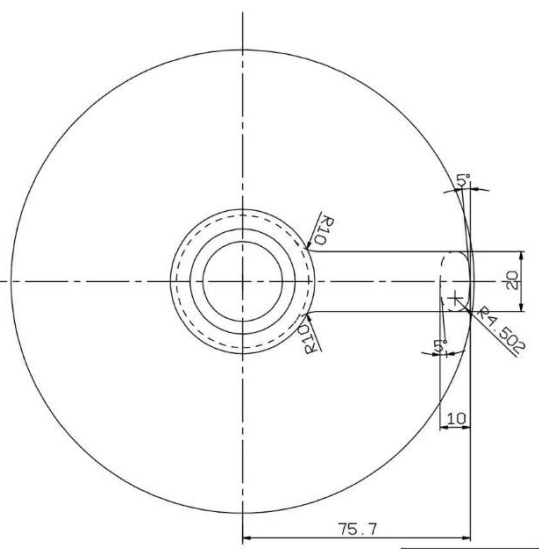
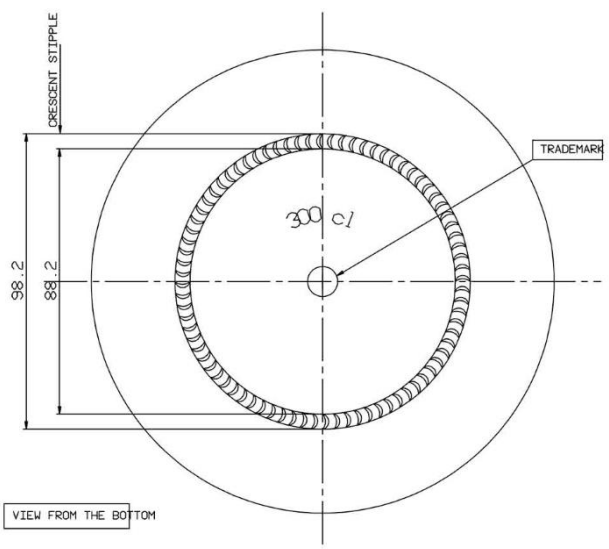


Scale 1 : 1
 3000 ml. DEMI-JOHN
 UNIT A2 C-4204594
 CAPACITY ml. 3023,5 ± 30 FULL TO THE BRIM
 GLASS WEIGHT gr. 1325 ± 25 APPROX
 Fig. No.



VOLUME IMBOCCATURA	=
VOLUME PREPARATORIO	=
VOLUME TAPPONE	=
VOLUME VETRO	=
O. C.	=



VIEW FROM THE BOTTOM

BIRD'S - EYE VIEW