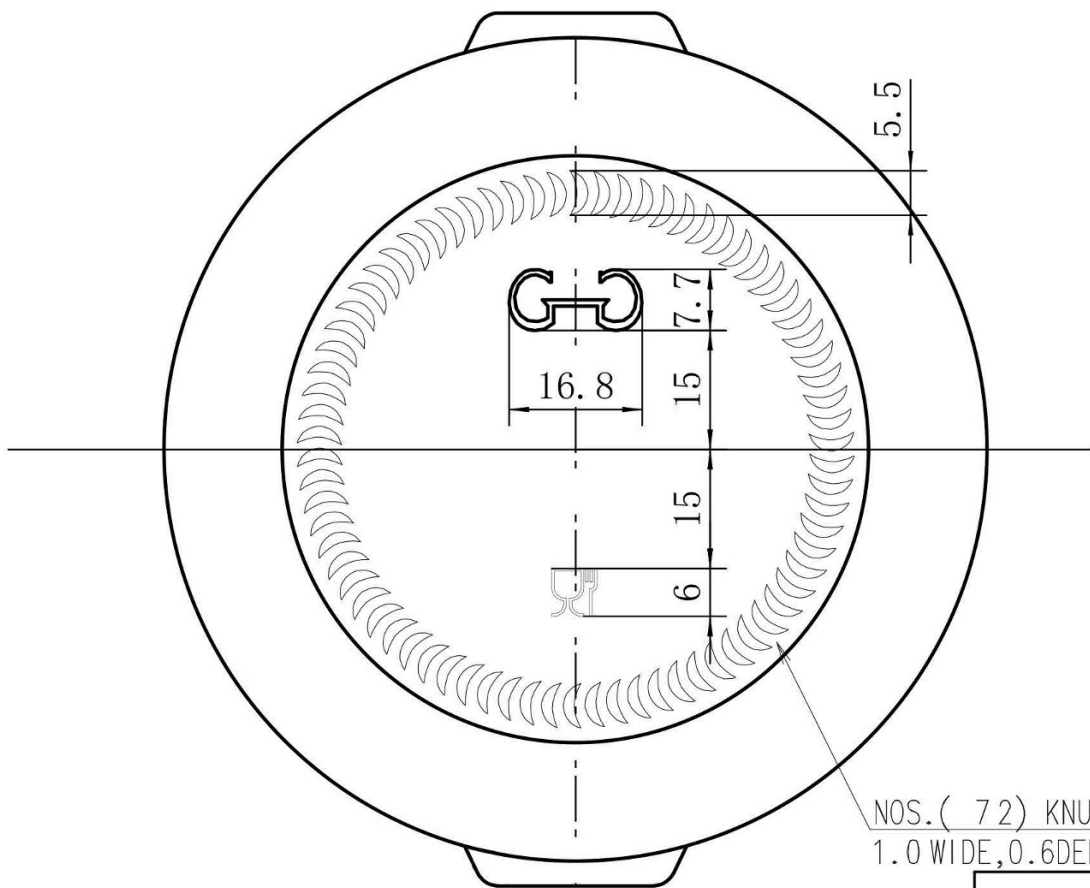
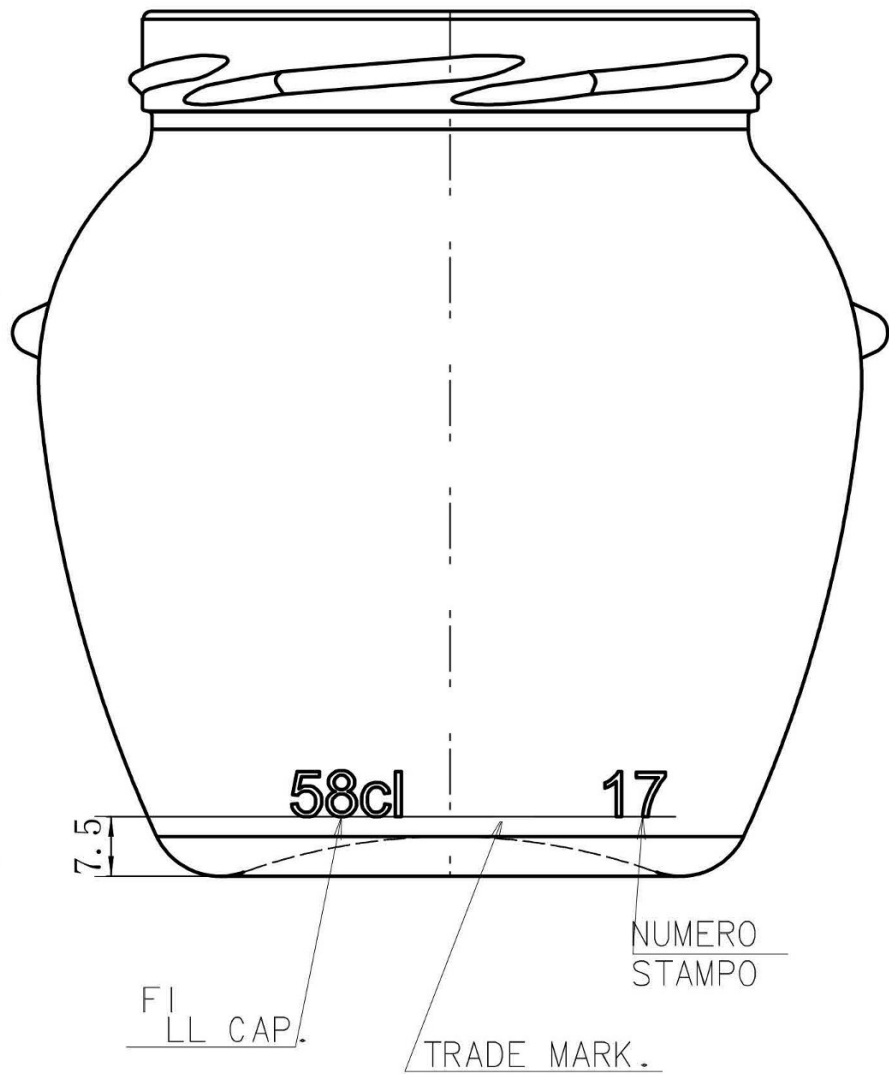
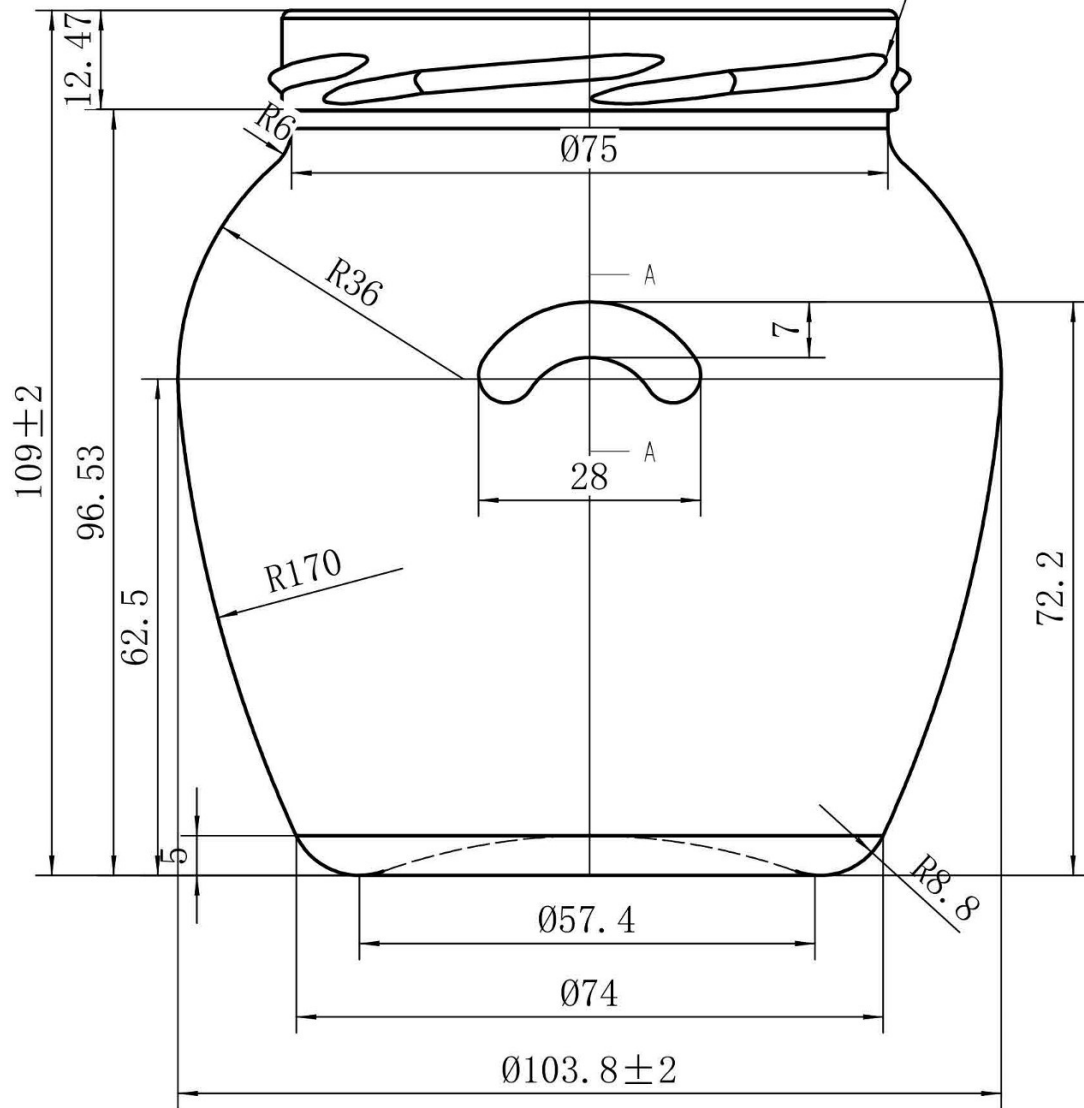
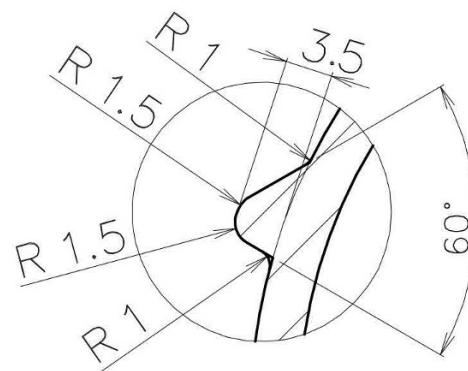


T0 82



NOS. (72) KNURLINGS
1.0 WIDE, 0.6 DEEP



SECTION A-A

FOR APPROVAL:
CUSTOMER:
SIGN:
NAME:
DATE:

				WARE	580ml Rar			
ALL DIM'S ARE IN MM DO NOT SCALE				SCALE	TYPE	COLOUR	PROD CATG	
DRAWING				1:1	III	FLINT		
DES' D BY	DATE	OVERFLOW CAP (ML)		WEIGHT (Gms)	NECK FINISH	AS PER BOTTLE SAMPLE		
		580±10ML		550ML±6	270±10GMS.	REV To 82		
REV. NO	REVISION	DATE	SIGN	CHK' D BY	APP' D BY	DRG. NO. :		