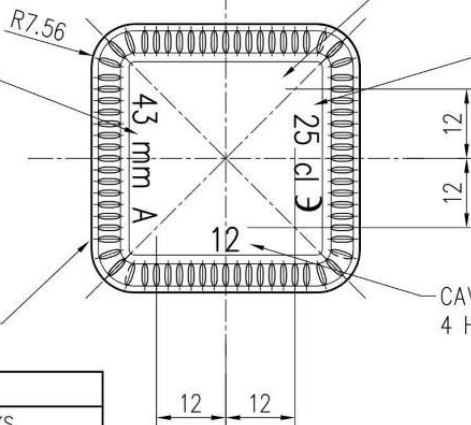


FILL POINT FIGURE  
4 HT. x 0.4 PROUD



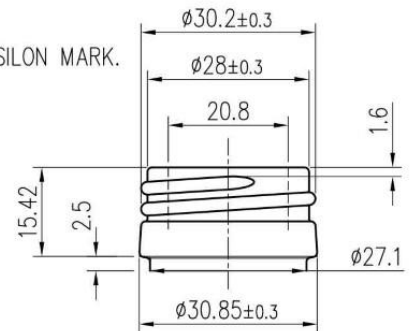
72 PTS BAR KNURLING ON  
BEARING DIAMETER  
EQUAL SPACING

CUSTOMER'S JOB NO.  
4 HT. x 0.4 PROUD

FILL CAPACITY & EPSILON MARK.  
4 HT. x 0.4 PROUD

PITCH=3.63mm  
WIDTH=2.2mm  
TURN=RUN-OUT

CAVITY NO.  
4 HT. x 0.4 PROUD



REVISION

NO.	DATE	REMARKS

CUSTOMER	
ITEM	
FINISH TYPE	31.5mm STD ROPP
WEIGHT	249g ±10g
FILL PT. CAP.	250ml ±5ml
BRIMFUL CAP.	265.4ml ±5ml
NOM. HEADSPACE	6.2%
DES'D BY	
COLOUR	FLINT
DATE	
CHK'D	
DRG NO.	